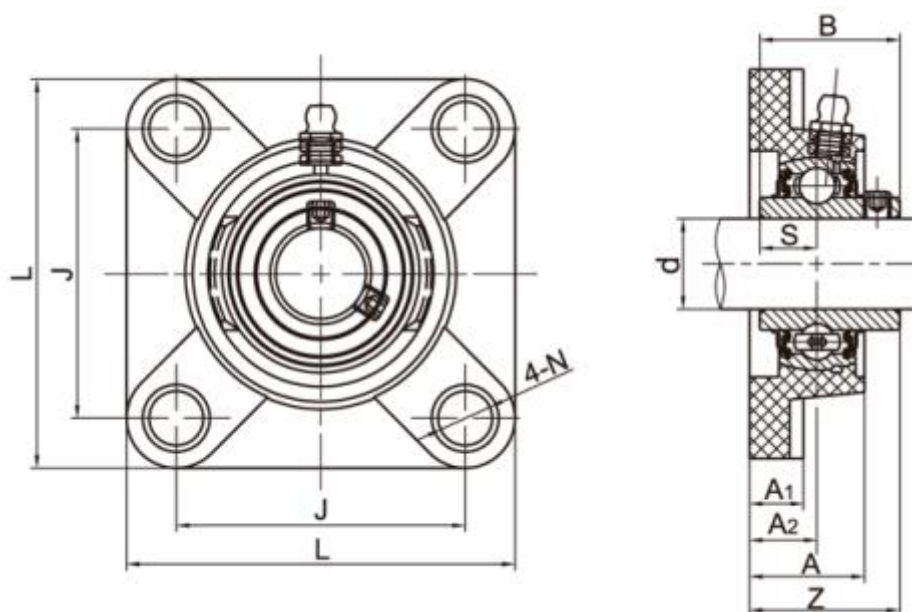


Article number: 54810632091

Description: 4 hole Flange Unit TP-SUCF209 for shaft $\varnothing 45\text{mm}$
Insert stainless steel, housing Thermoplastic black

Measures



A = 41	N = 17
A1 = 19	S = 19
A2 = 24	Z = 54.2
B = 49.2	
Bolt = M16	
d = 45	
J = 105	
L = 137	